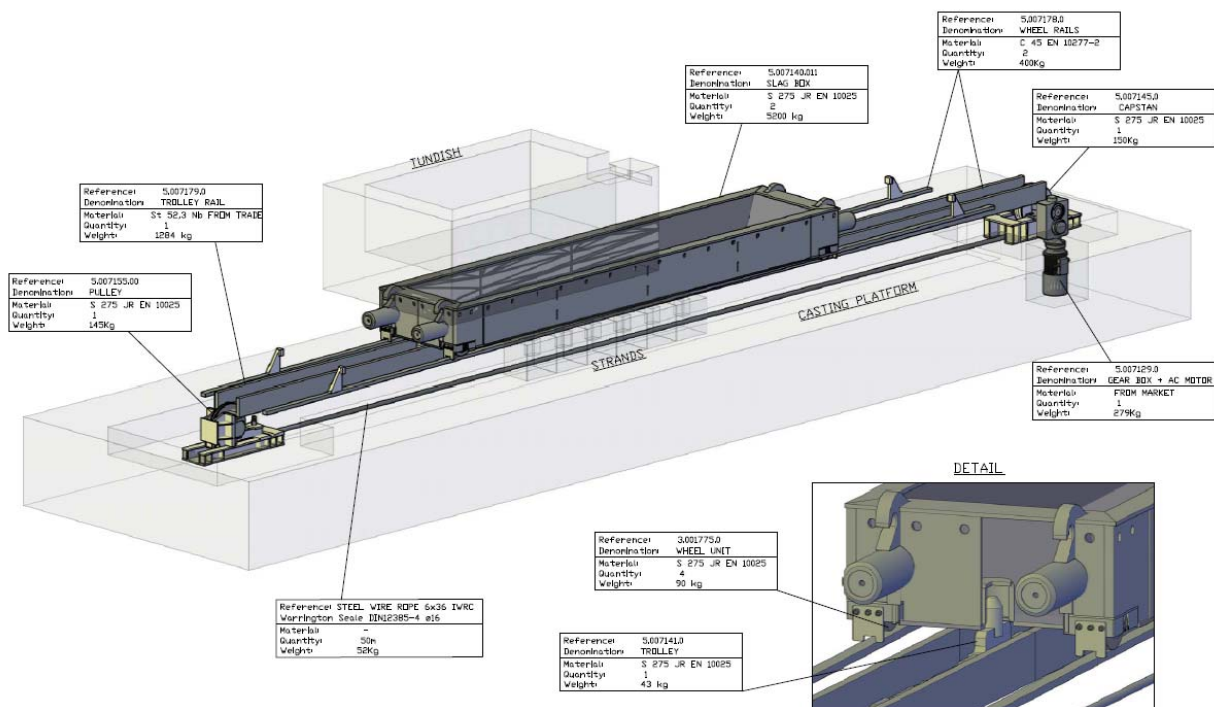


MOVABLE OVERFLOW SLAG BOX SYSTEM

CHALLENGE

- Increase productivity



APPLICATION

- Continuous casting platforms

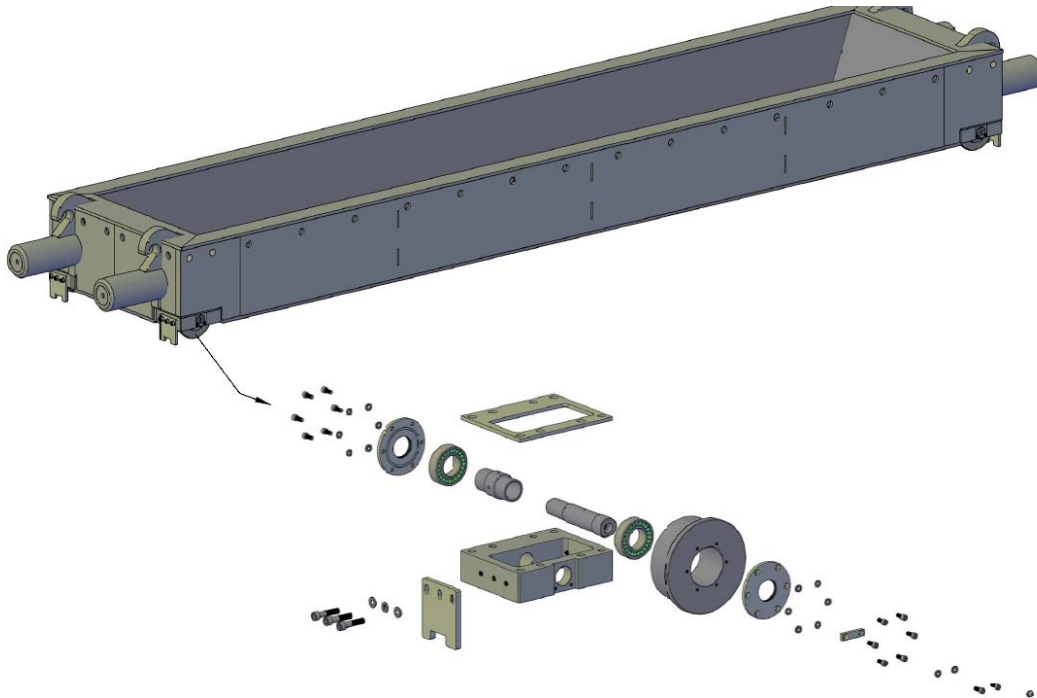
ADVANTAGES

- Reduction of replacements of slag boxes
- Reduction of time replacing slag boxes

MOVABLE OVERFLOW SLAG BOX SYSTEM

SYSTEM FOR OVER FLOW SLAG BOX MOVEMENT

It operates on and just below the casting area floor.



This system includes:

- Electrical motor self brake type
- Reducer
- Metallic cable
- Rails
- Trolley
- Central guide for trolley movement